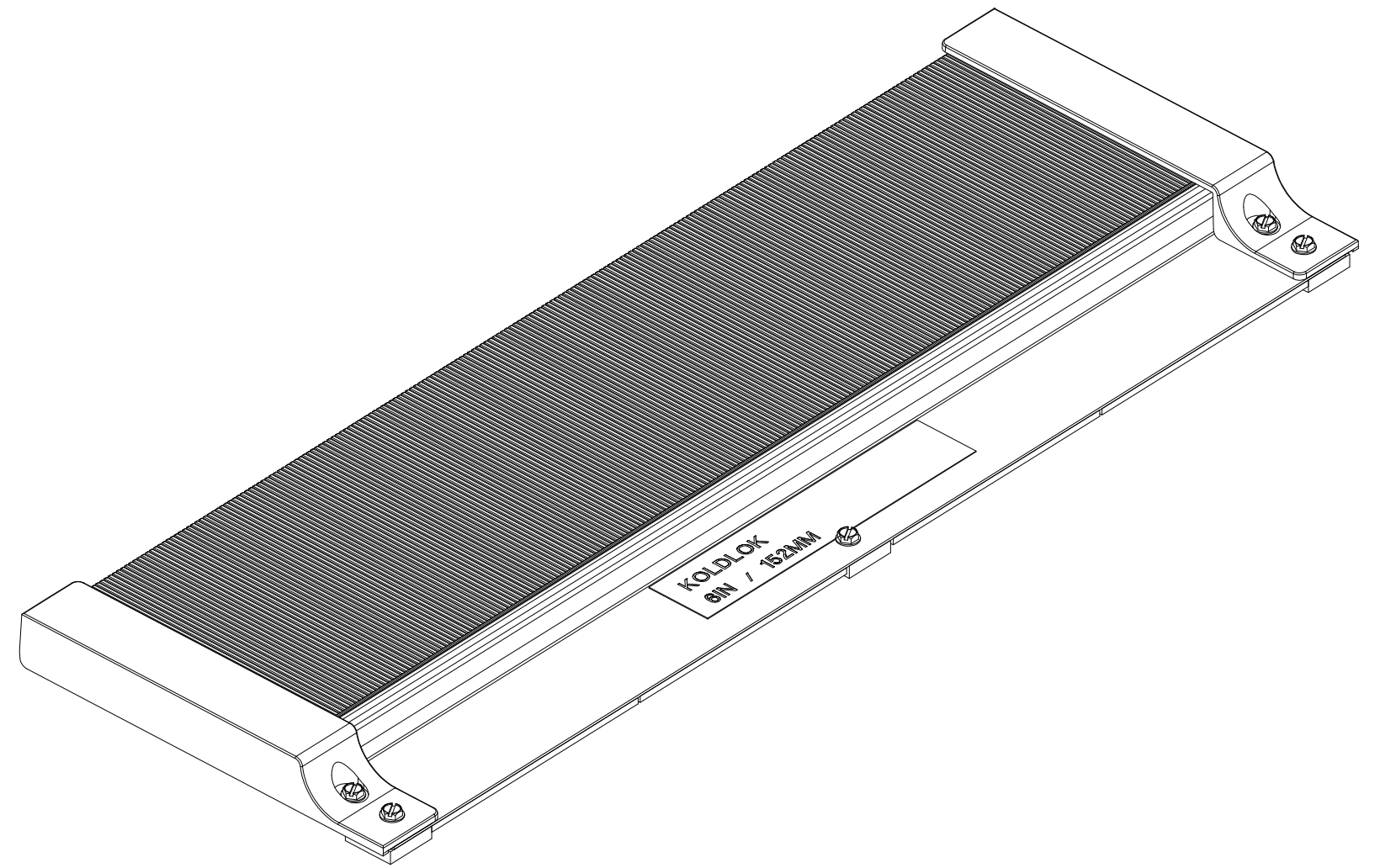
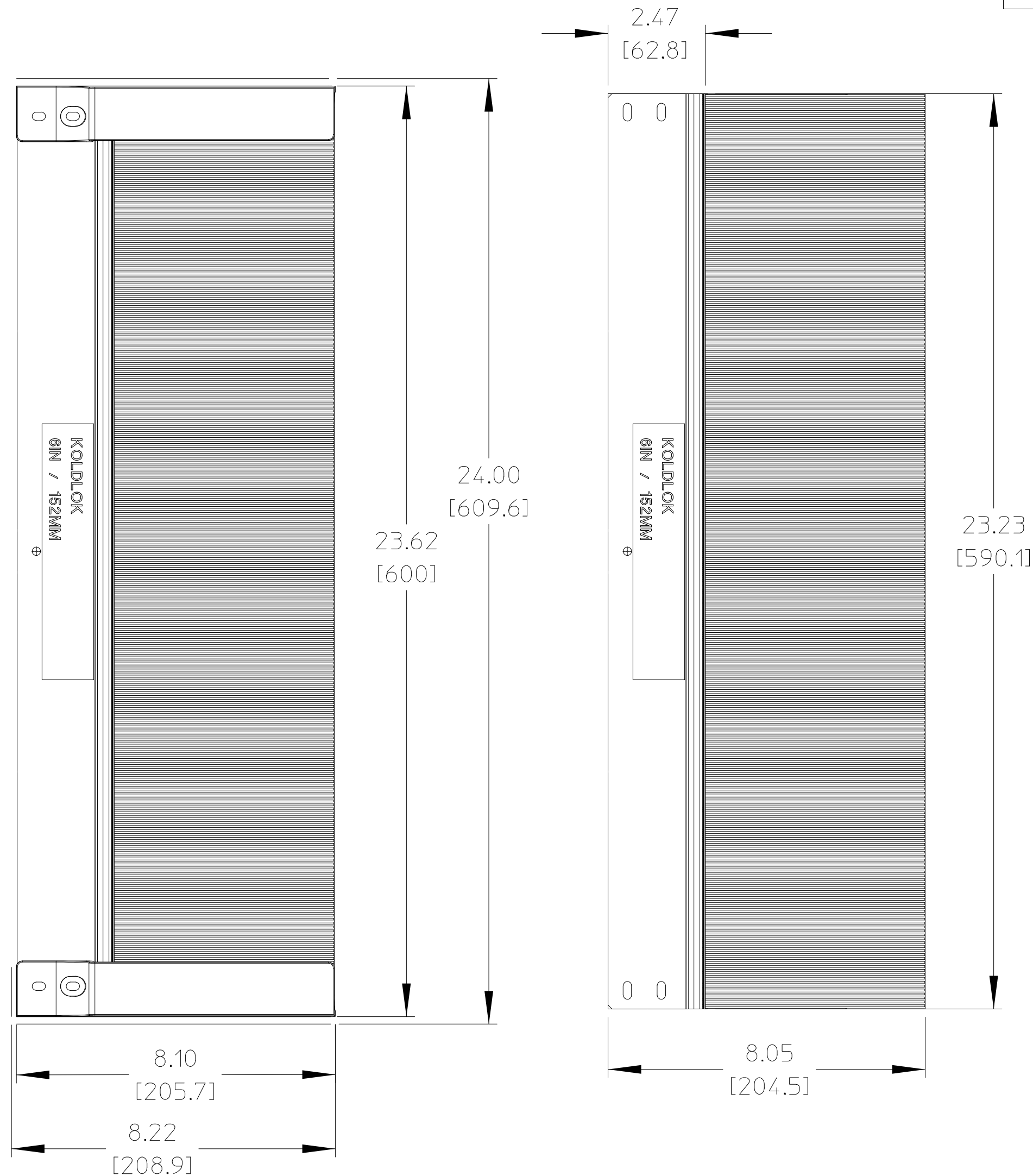


UPSITE TECHNOLOGIES, INC.

This document is the copyrighted property of Upsite Technologies, Inc. and contains confidential, proprietary information. No information contained in this document may be copied or disclosed to others without authorization from Upsite Technologies, Inc.

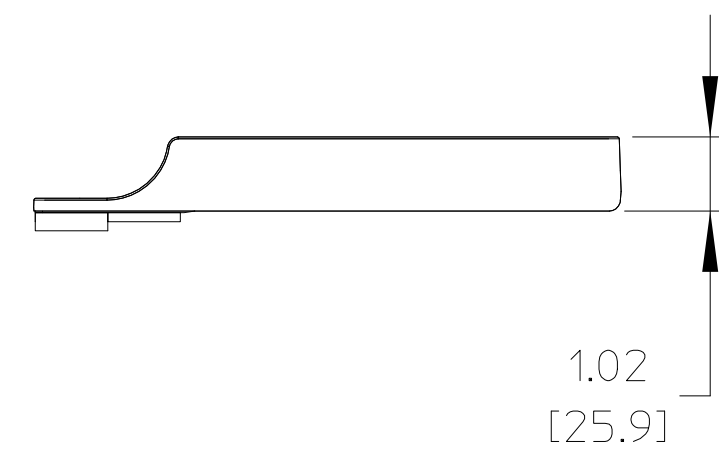
Part No. **60035** Part Name: 2D/3D MODELS, KOLDLOCK® EXTENDED RAISED FLOOR GROMMET (6IN/152MM)

Revision	Revision Summary	Changed By:	Approved By:	Approved Date:
A	AS RELEASED	ACT	ACT	27-04-2007

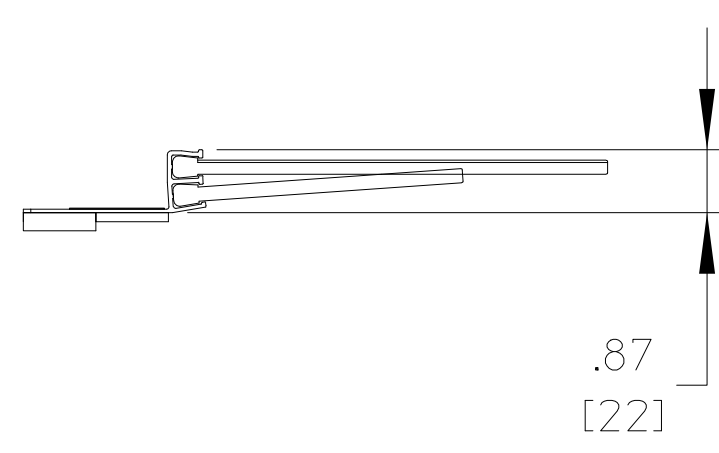


NOTES:

- 1) END USE PART NUMBERS ARE 10013 (QUANTITY = 1) AND 10011 (QUANTITY = 10) - PLEASE USE THESE PART NUMBERS WHEN ORDERING.



(SHOWN WITH ENDCAPS)



(SHOWN WITHOUT ENDCAPS)

UNLESS OTHERWISE SPECIFIED
 DIMENSIONS ARE IN **INCHES**
 THIRD ANGLE PROJECTION

TOLERANCES

X.X ± .020
 X.XX ± .010
 X.XXX ± .005

ANGLES ± 1°

ALL UNDIMENSIONED FEATURES PER NOTES

STRIKE OUT OR FILL IN AS NEEDED

1	X	X	X	X
ITEM	QTY	U/M	PART/MATL NO.	PART/MTL NAME/DESCRIPTION
				2D/3D MODELS, KOLDLOCK® EXTENDED RAISED FLOOR GROMMET (6IN/152MM) MODEL 10013
NAME			DATE	UPSITE TECHNOLOGIES, INC. 2904 Rodeo Park Drive East Santa Fe, New Mexico 87505 United States of America
ACT			27-04-2007	
ENGINEER/CHECKER:			27-04-2007	
LAST REVISION BY:				TITLE
ADHERENCE TO ASME SPEC. Y14.5M REVISION 1994 REQUIRED			SCALE	SHEET 1 OF 1 DRAWING SIZE: C PART NUMBER: 60035